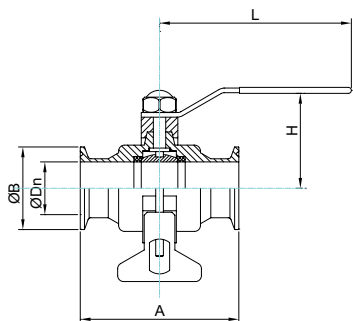


卡箍无滞留球阀

CLAMP NON-RETENTION BALL VALVE



应用 Applications

无滞留球阀为全包式球座设计，解决了球阀液体滞留阀腔内的问题，该球阀适用于生物制药工程。

None-retention ball valve is designed with all-inclusive ball seat, which solves the problem of the medium from retaining in valves body applied to pharmacy and biotechnology industries.

设计和特点 Design and Features

阀体组合卡箍连接

无需专业工具即拆卸阀门

操作扭矩小

垫圈根据FDA 177.2600

连接：卡箍、焊接、螺纹、DIN、SMS、ISO、IDF、BPE、RJT

无论是何种连接方式，阀体都可进行更换，而不会改变阀门的总长度

Valve bodies Combined with clamp connection

Easily disassemble without special tools

Small Operating torque

Gasket complies with FDA 177.2600

Connection: clamp, weld, thread, DIN, SMS, ISO, IDF, BPE, RJT

Valve body can be replaced in any connections. And Valve length will not change

No.KST-VQ004

SIZE	A	L	H	B	Dn
DN15	90	105	65	34.0	15
DN20	100	105	65	34.0	19
DN25	110	105	70	50.5	25
DN32	120	130	80	50.5	31
DN40	140	150	80	50.5	37
DN50	164	160	85	64.0	49
DN65	180	180	110	91.0	66

SIZE	A	L	H	B	Dn
Φ19	90	105	65	25.4	16.0
Φ25	110	105	70	50.5	22.4
Φ32	120	105	80	50.5	28.8
Φ38	140	130	80	50.5	35.1
Φ51	164	150	85	64.0	47.8
Φ57	170	160	110	77.5	53.0
Φ63	180	180	110	77.5	59.5